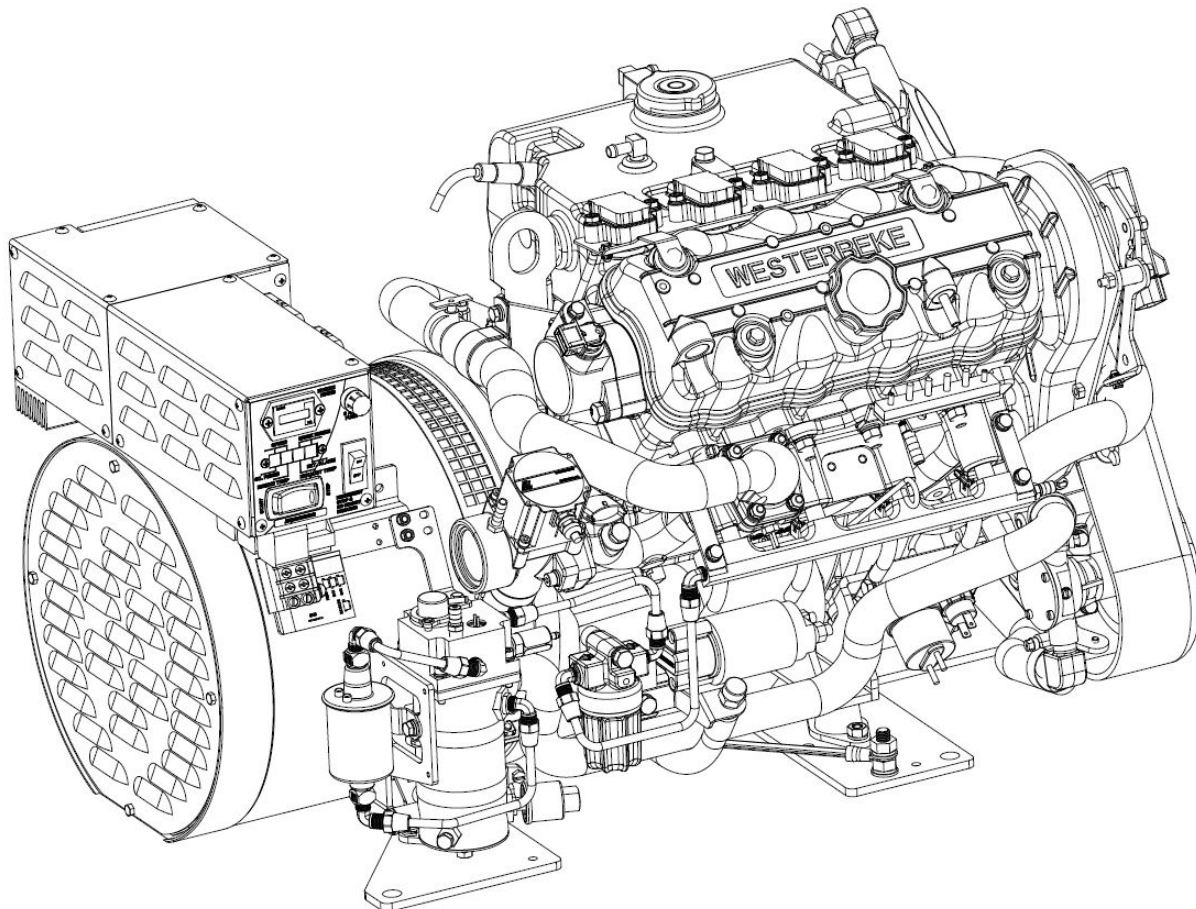


ILLUSTRATED PARTS LIST

FOR MODELS:

9.5 MCGA (60HZ) AND 7.6 MCGA (50HZ)

INCLUDING VENCLOSURE MODELS



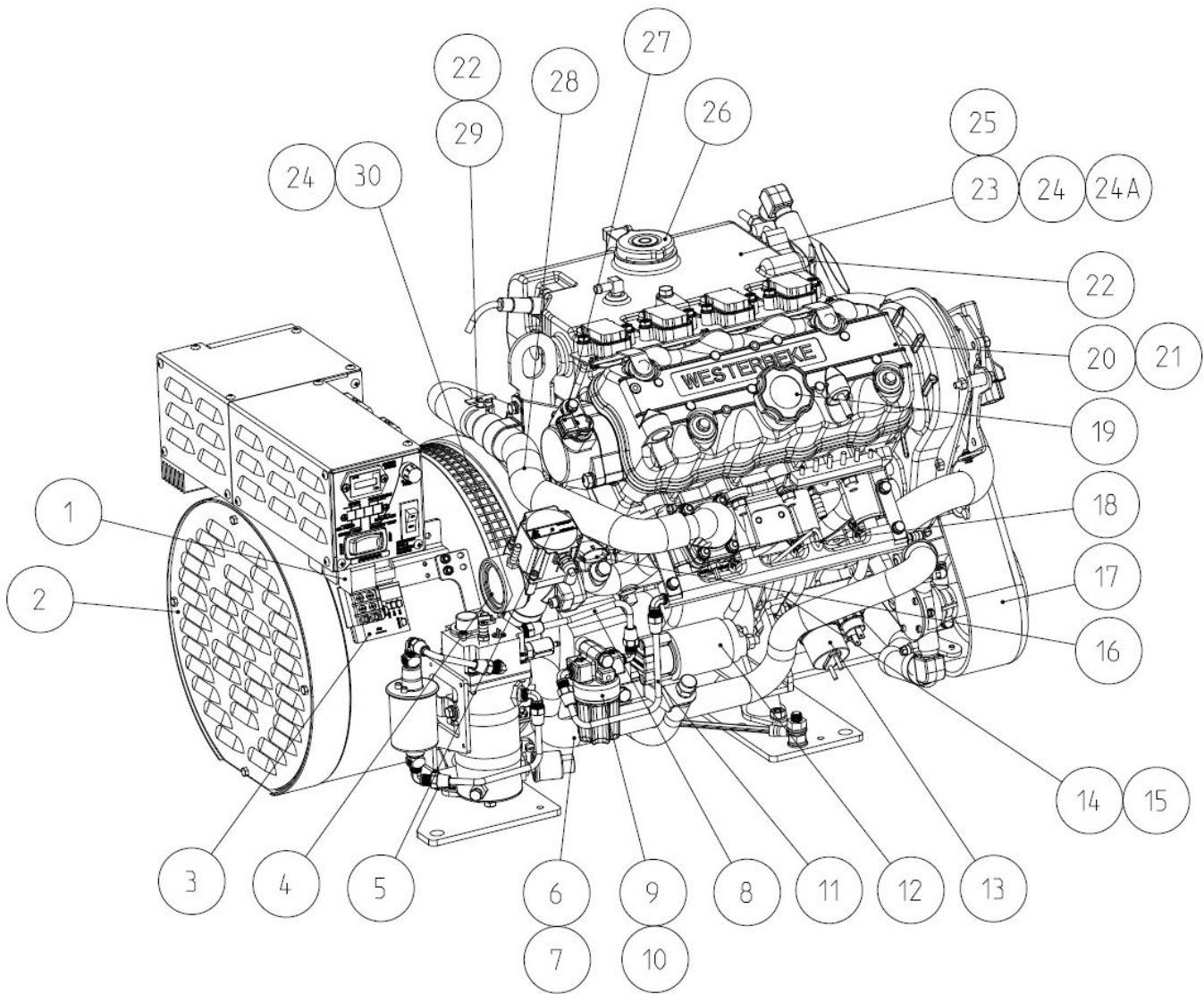


Fig. 1 SERVICE SIDE REAR ISO VIEW

CONTACT SERVICE OR SPARE PARTS REPRESENTATIVE
FOR ECU REPLACEMENT, GENSET SERIAL NUMBER IS REQUIRED

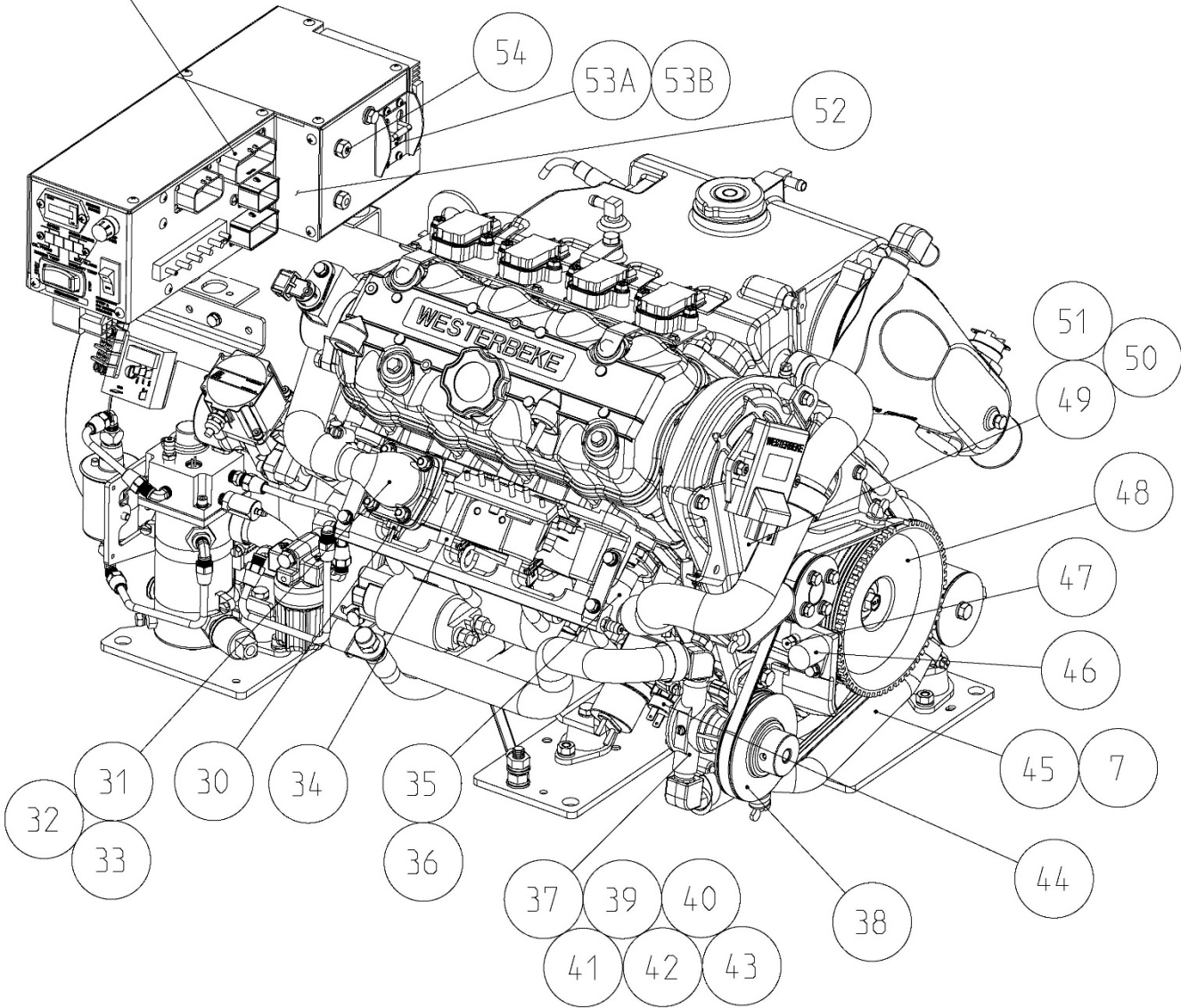


Fig. 2 SERVICE SIDE FRONT ISO VIEW

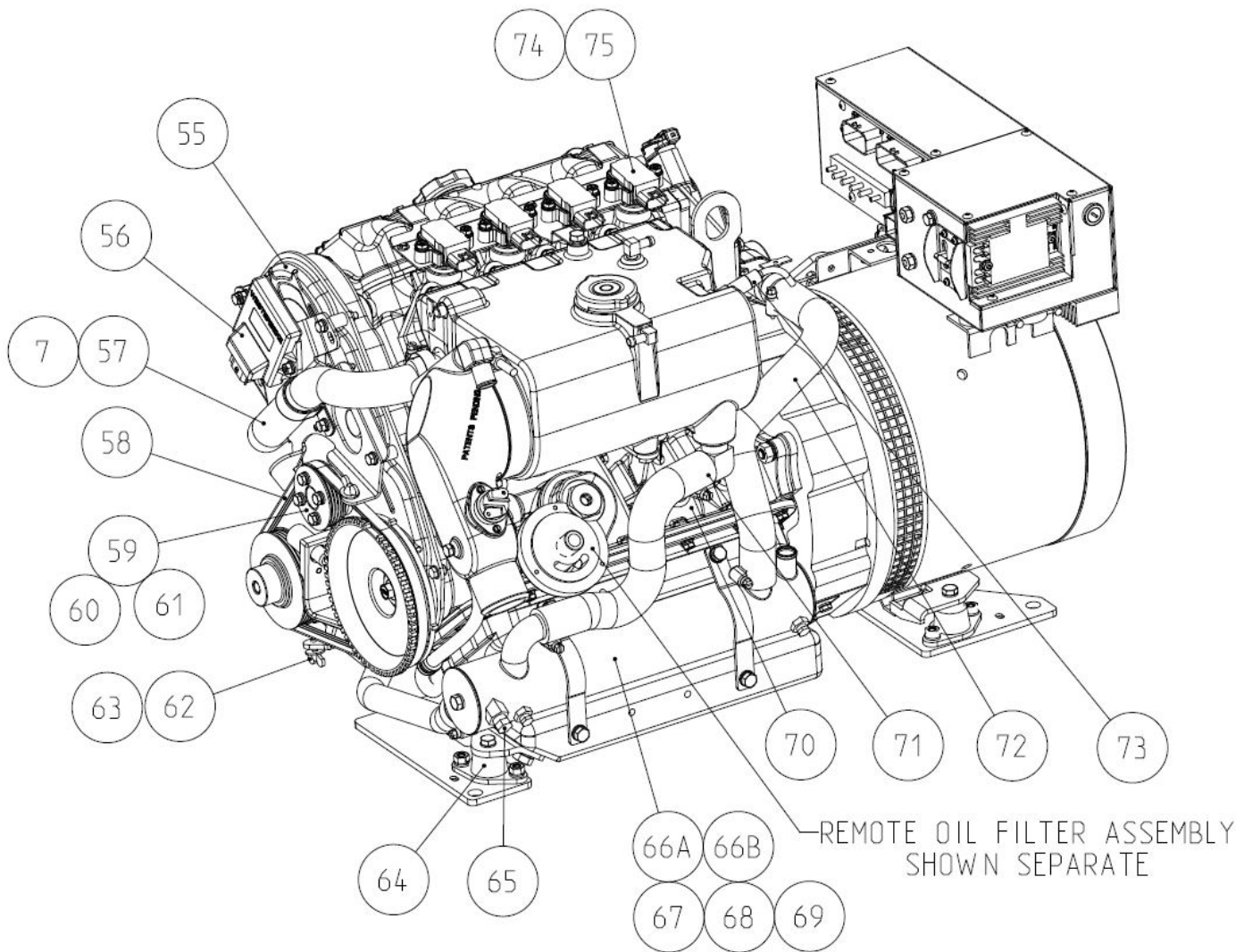


Fig. 3 NON-SERVICE SIDE FRONT ISO VIEW

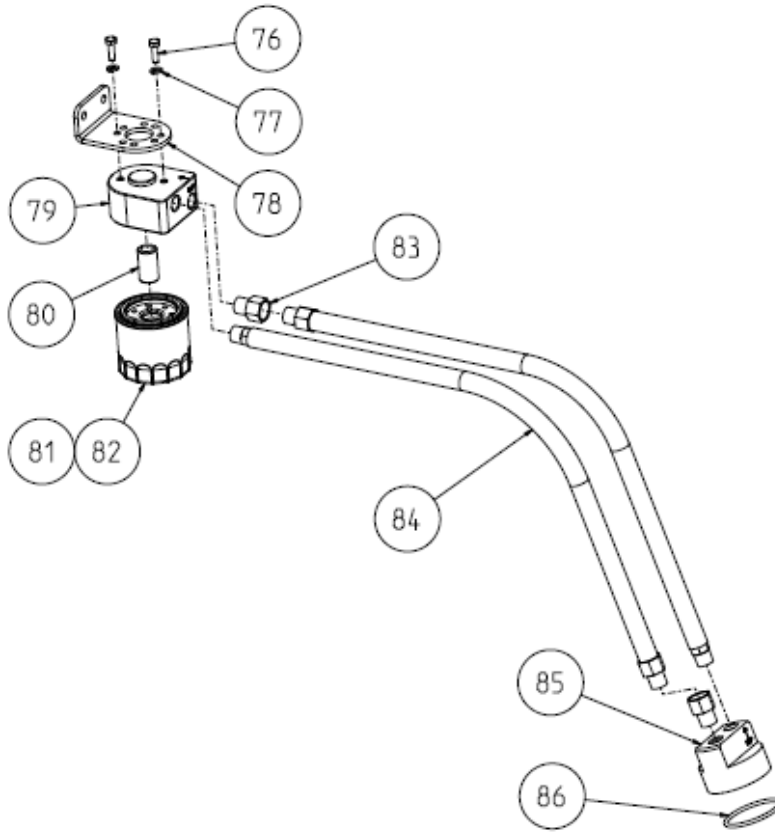


Fig. 4 REMOTE OIL FILTER ASSEMBLY

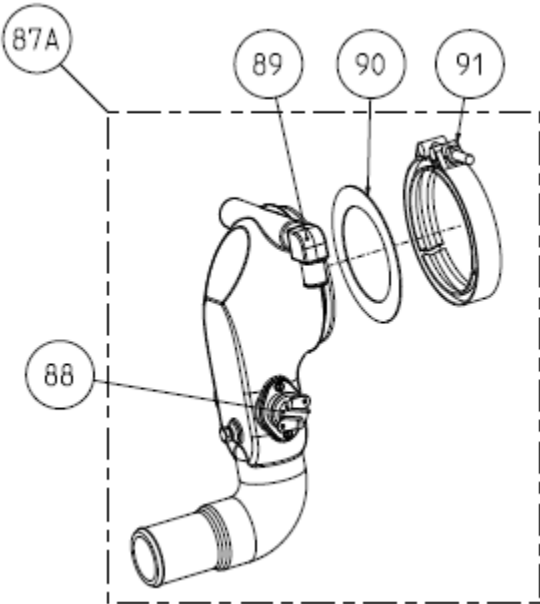


Fig. 5 SIDE EXHAUST ELBOW

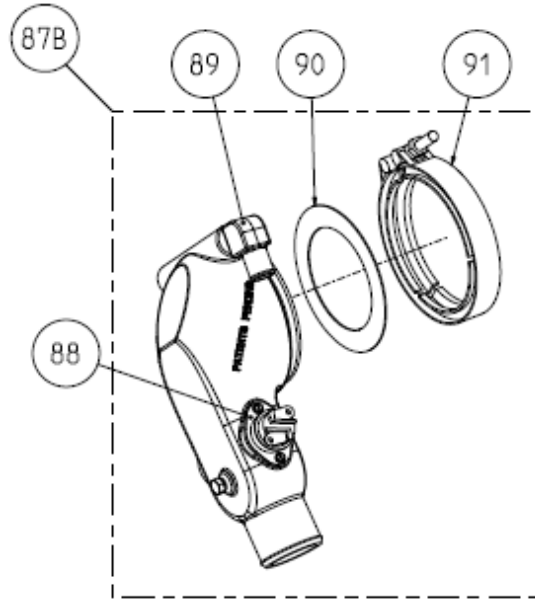
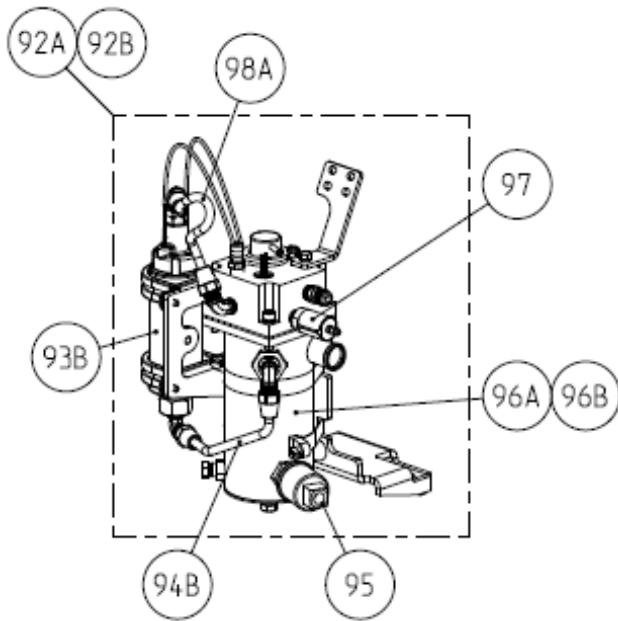
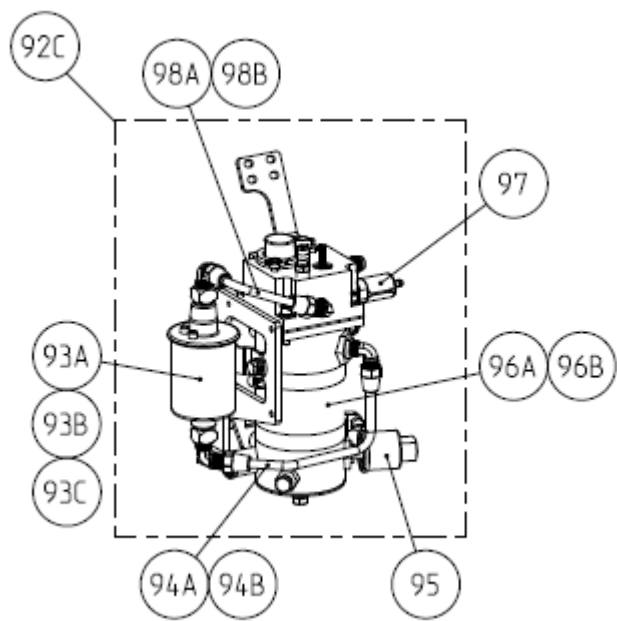


Fig. 6 REAR EXHAUST ELBOW



**Fig. 7 FUEL PUMP MODULE
(VENCLOSURE MODELS)**



**Fig. 8 FUEL PUMP MODULE
(NON-VENCLOSURE MODELS)**

[SEE PARTS BULLETIN 2021-1 FOR DETAILED FUEL PUMP APPLICATION INFORMATION](#)

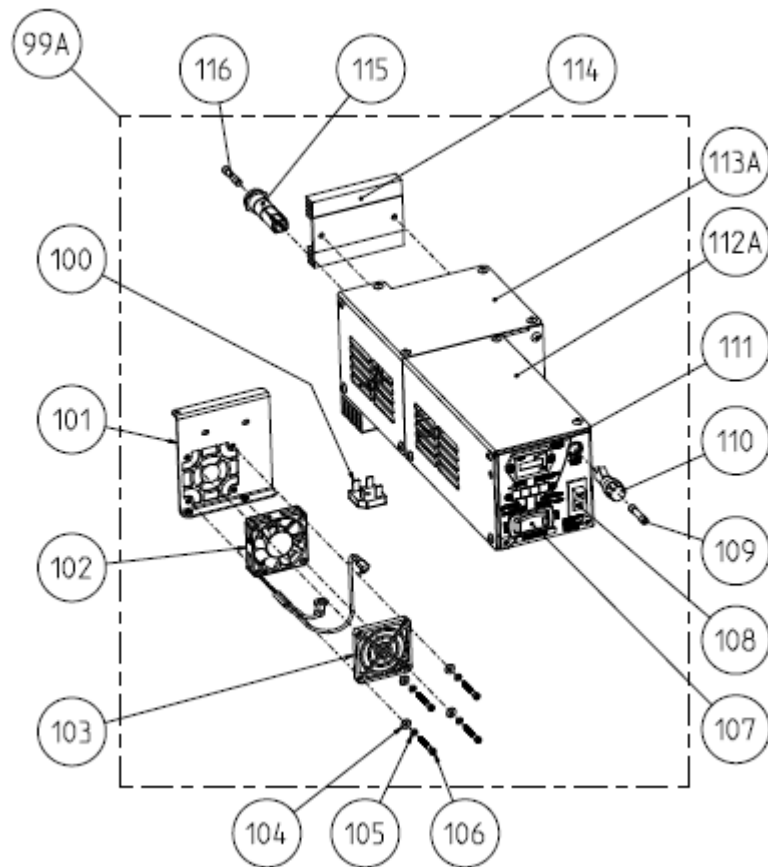


Fig. 9 CONTROL PANEL BOX (VENCLOSURE MODELS)

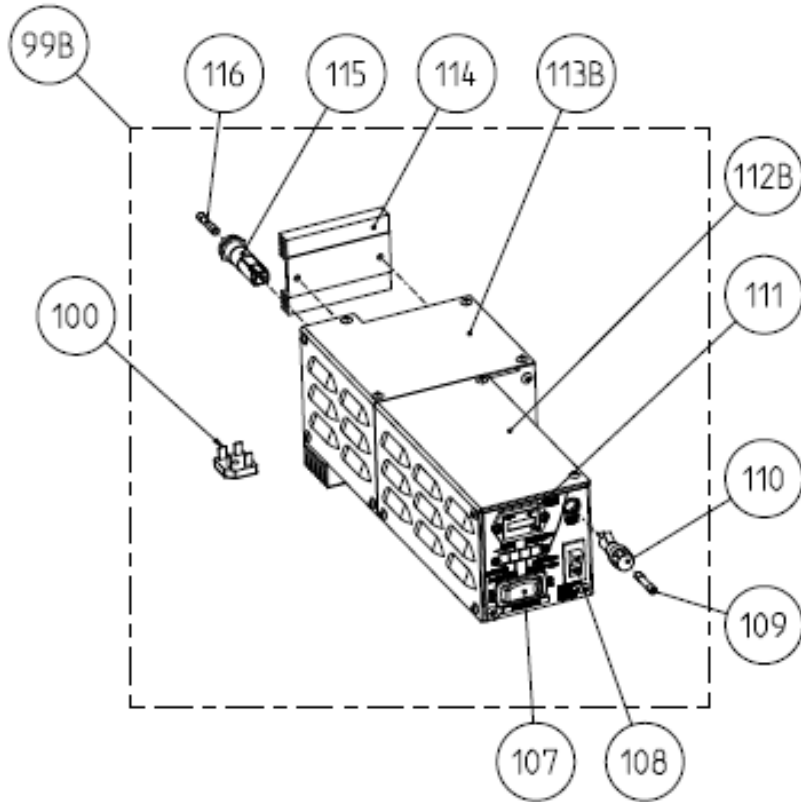


Fig. 10 CONTROL PANEL BOX (NON-ENCLOSURE MODELS)

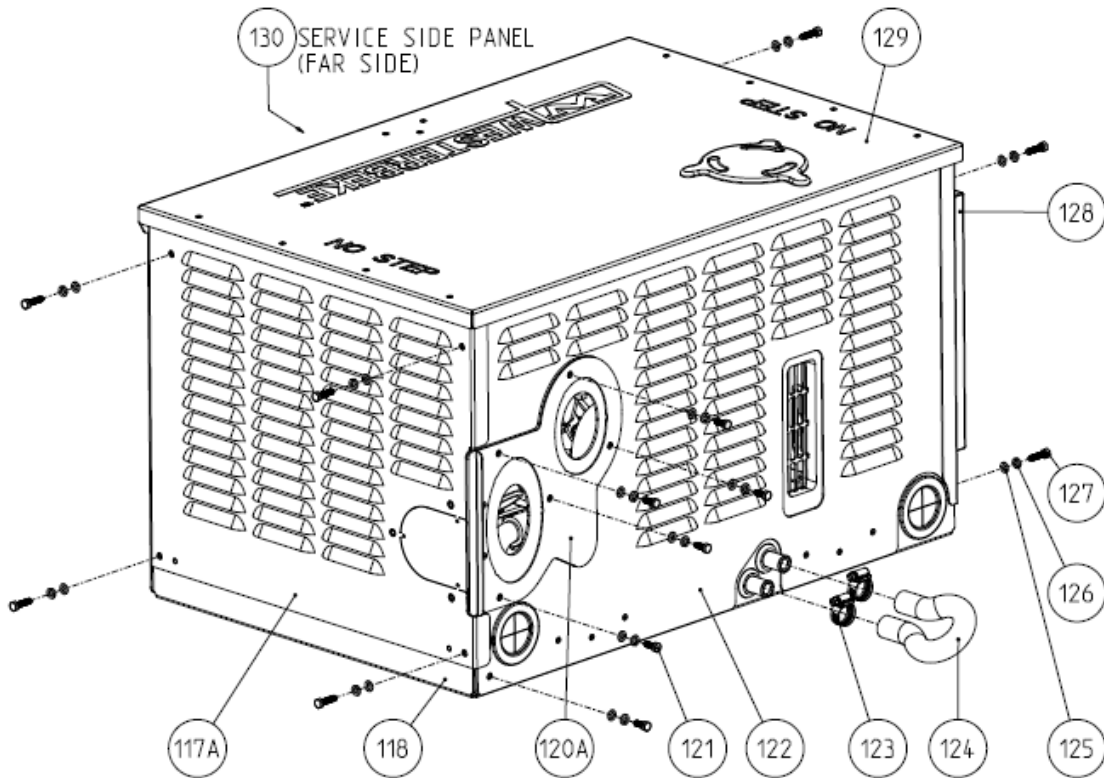


Fig. 11 VENCLOSURE ASSEMBLY (REAR EXHAUST)

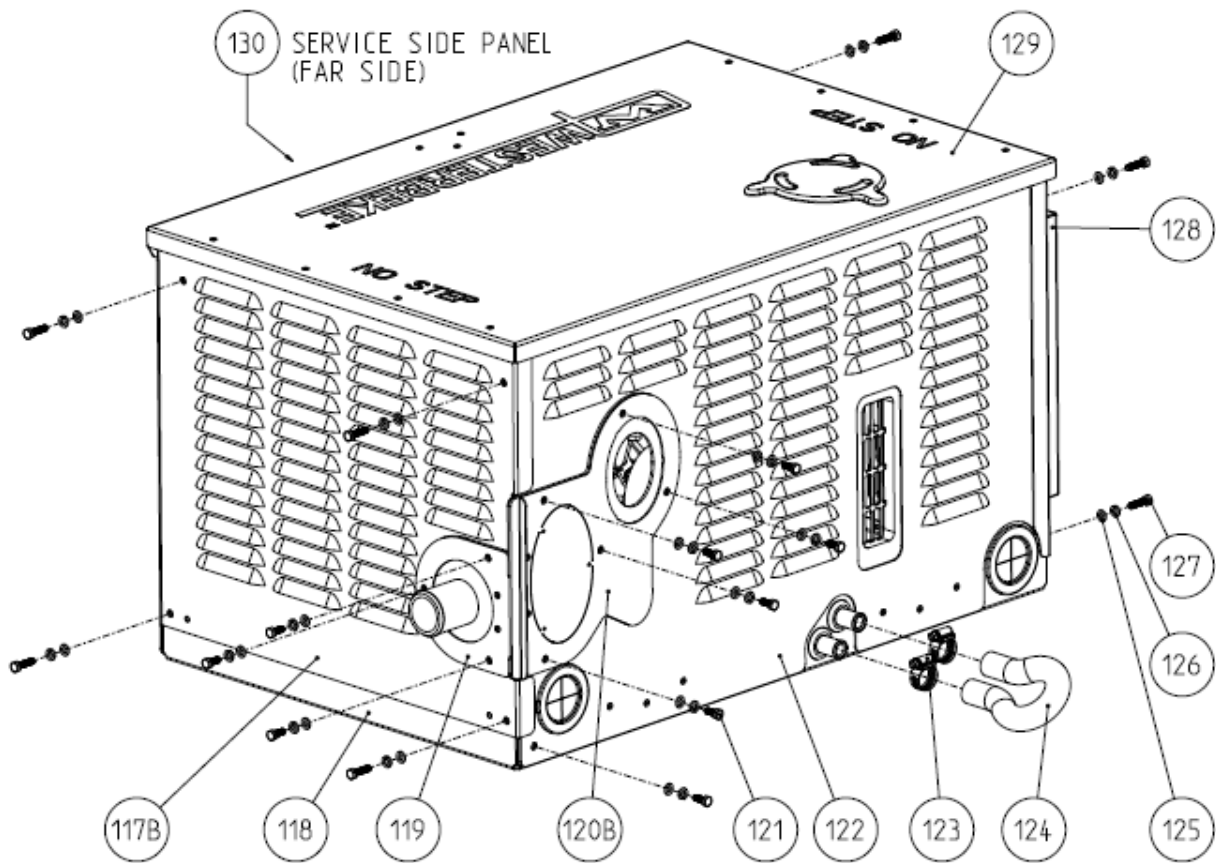


Fig. 12 VENCLOSURE ASSEMBLY (SIDE EXHAUST)

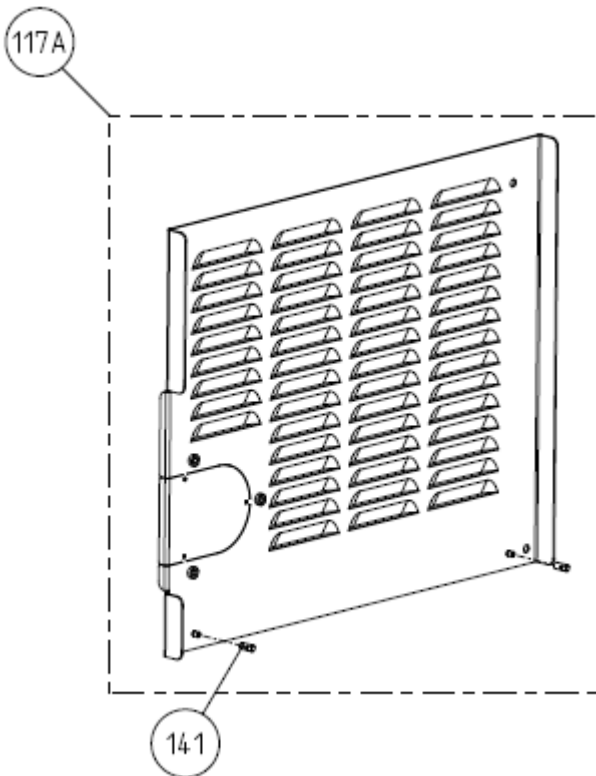


Fig. 13 BELT SIDE PANEL (REAR EXHAUST)

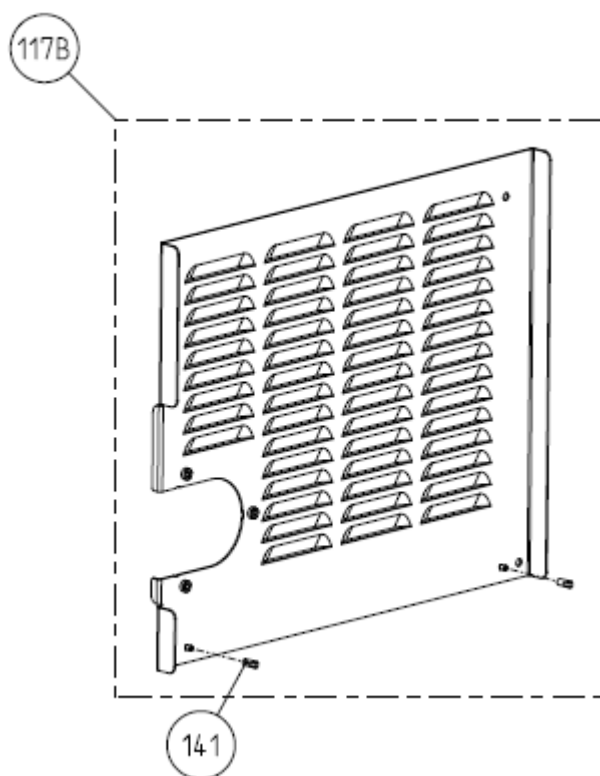


Fig. 14 BELT SIDE PANEL (SIDE EXHAUST)

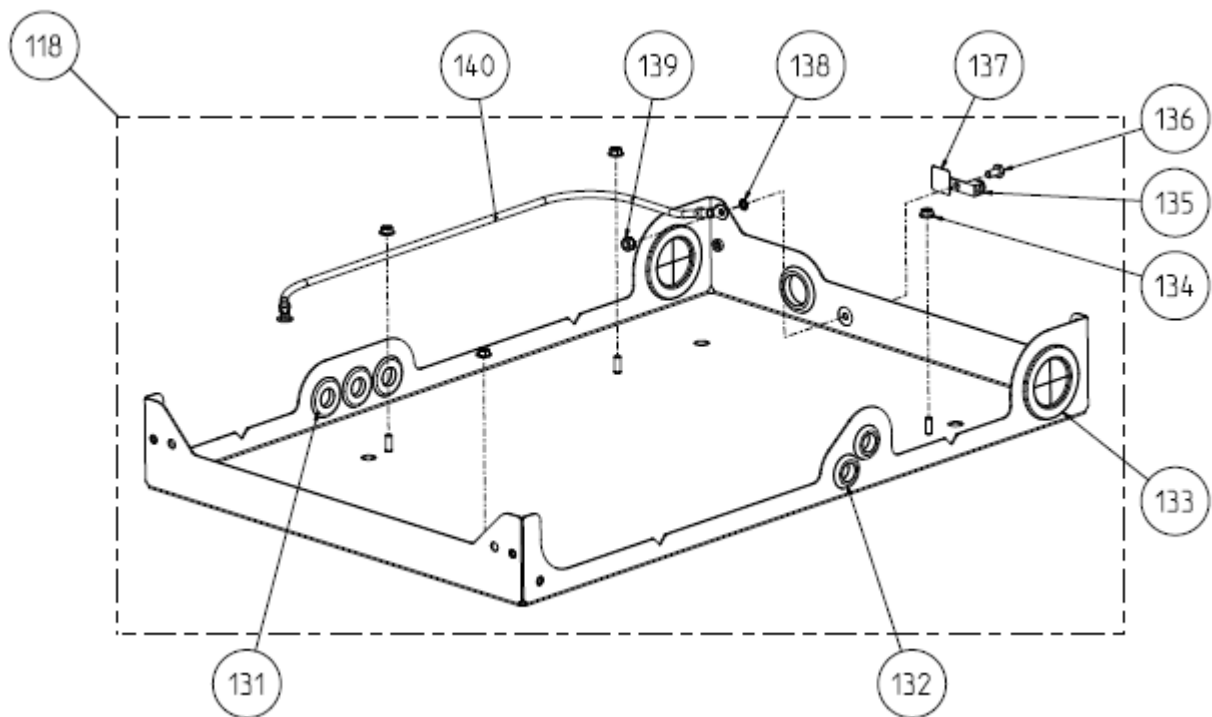
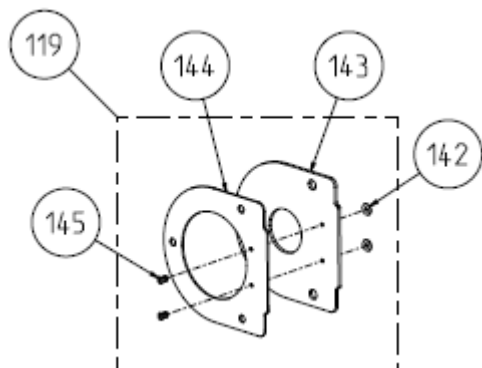
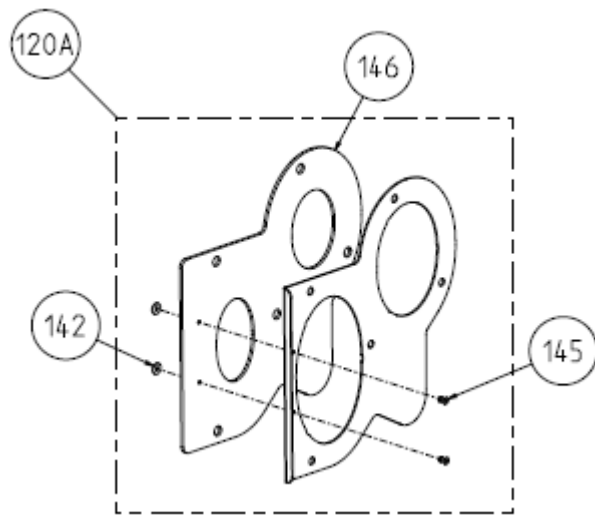


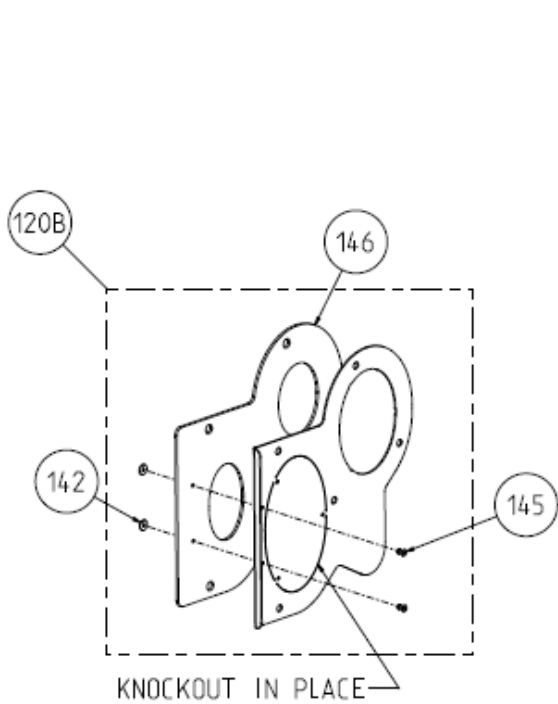
Fig. 15 BASE ASSY



**Fig. 16 SIDE FLANGE ASSY
(SIDE EXHAUST)**



**Fig. 17 REAR FLANGE ASSY
(REAR EXHAUST)**



**Fig. 18 REAR FLANGE ASSY
(SIDE EXHAUST)**

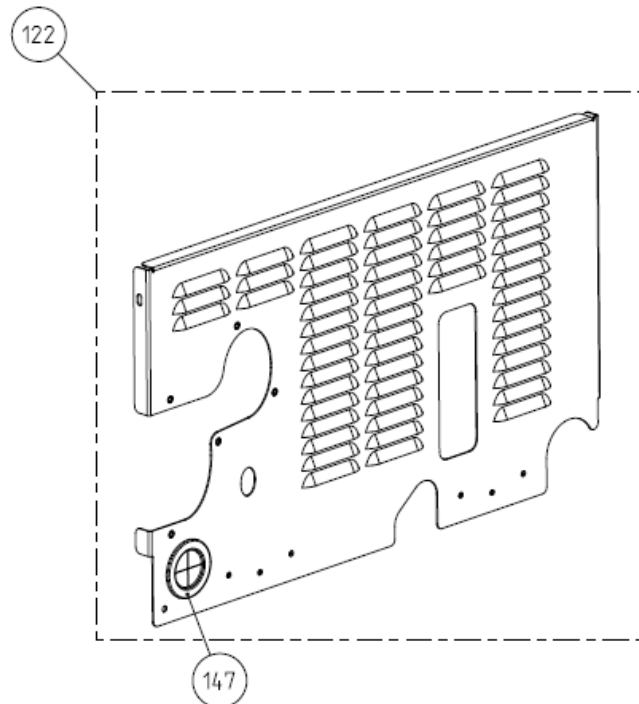


Fig. 19 REAR PANEL ASSY

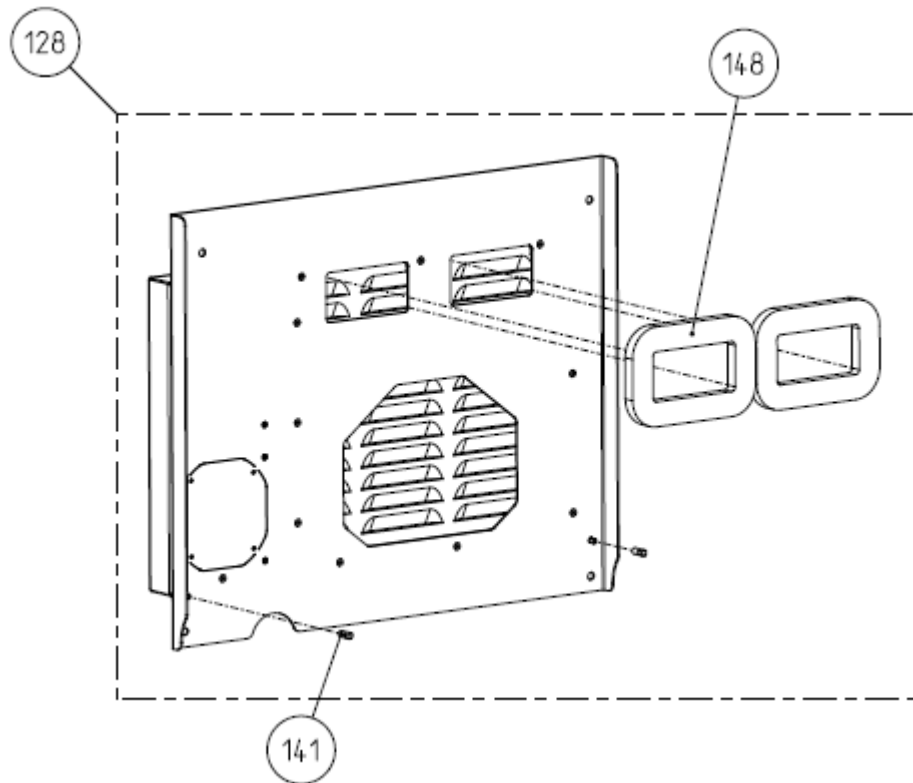


Fig. 20 GENERATOR PANEL

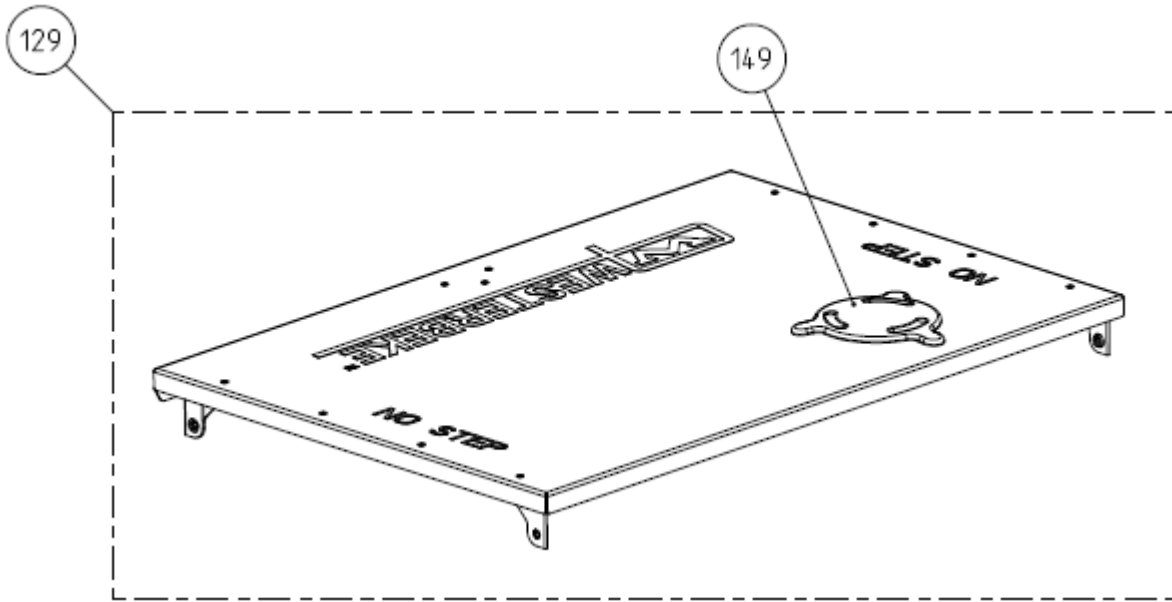


Fig. 21 TOP PANEL

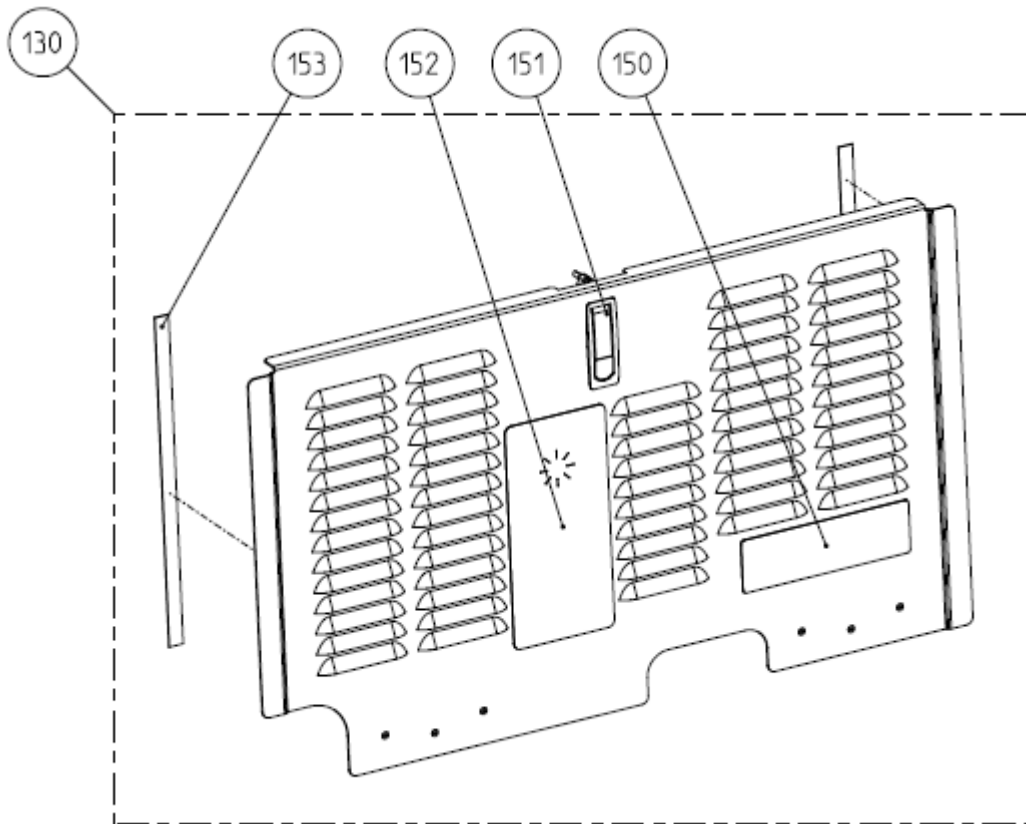


Fig. 22 SERVICE SIDE PANEL

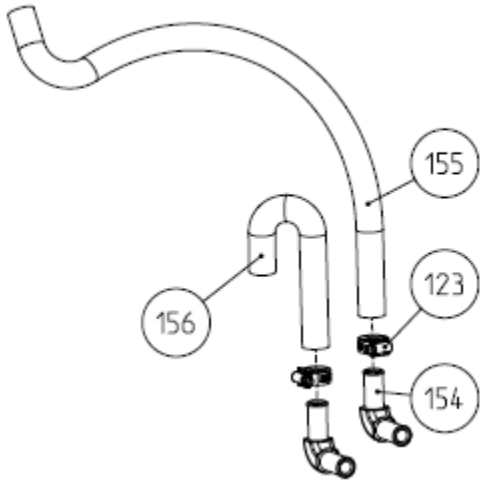


Fig. 23 SIPHON BREAK COMPONENTS

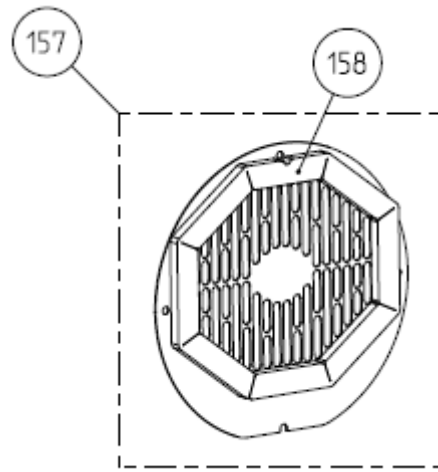


Fig. 24 GENERATOR COVER

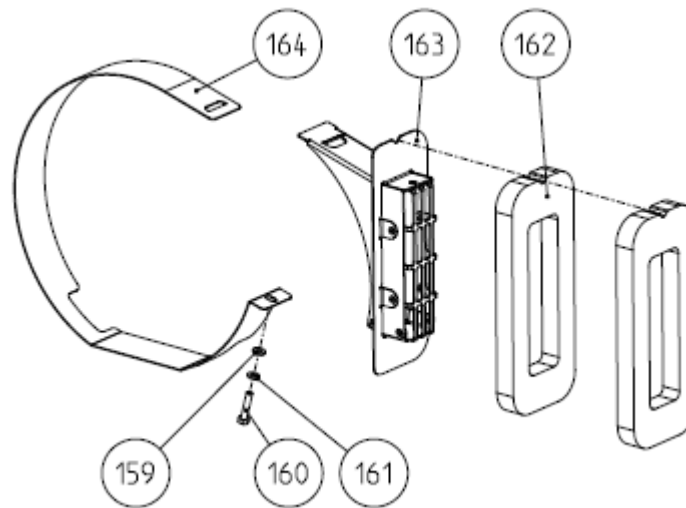


Fig. 25 GENERATOR DUCT COMPONENTS

PARTS LIST

REF	PART #	DESCRIPTION	NOTES	Fig.
1	41150	RELAY 30A		1
2	56830	GENERATOR 9.5KW	9.5/7.6 MCGA	1
3	53555	RELAY, TIMING		1
4	54568	ARRESTOR, FLAME		1
5	55530	THROTTLE BODY ASSY		1
6	57007	HOSE, FUEL MODULE		1
7	11405	CLAMP, HOSE		1, 2, 3
8	56669	LINE, FUEL		1
9	46800	FILTER, FUEL ASSEMBLY		1
10	47006	ELEMENT, FUEL FILTER		1
11	56947	LINE, FUEL		1
12	46309	MOTOR, STARTER		1
13	56177	SENDER, OIL PRESS		1
14	52799	HARNESS, BATTERY CHGR		1
15	48792	FUSE 30A	USED IN 52799 BATTERY CHGR HARNESS	1
16	48989	SENSOR, MAP W/TEMP		1
17	56544	GUARD, BELT		1
18	56919	DIPSTICK		1
19	56969	OIL CAP		1
20	57988	COVER, ROCKER		1
21	57926	GASKET, ROCKER COVER		1
22	11471	PETCOCK		1
23	56943	MANIFOLD, EXHAUST ASSY		1
24A	56586	CATALYST ASSY	DATE CODE TC AND EARLIER	1
24B	57375	CATALYST ASSY	DATE CODE TD AND LATER	1
25	56921	GASKET, EXH MANIFOLD		1
26	24306	CAP, PRESSURE 15PSI		1
27	56705	SENSOR, SPEED CAM		1
28	56967	HOSE, THERM TO BLEEDER		1
29	56696	TEE		1
30	42198	SENSOR, TEMP		1, 2
31	56622	HOUSING, THERMOSTAT		2
32	56584	GASKET, THERM HOUSING		2
33	42343	THERMOSTAT		2
34	52855	INJECTOR, FUEL		2
35	56597	ELBOW, WATER INLET		2
36	56706	GASKET, WATER INLET		2
37	55624	PUMP, SEA WATER		2
38	46734	PULLEY, SEA WATER PUMP		2
39	56607	BRACKET, SWP		2
40	46622	IMPELLER KIT 46120 PUMP		2
41	46624	O-RING, PUMP 46120		2
42	34463	SCREW, IMPELLER COVER		2
43	55718	KIT, WATER PUMP 55624		2
44	37323	SWITCH, OIL PRESS		2
45	56624	HOSE, SWP TO XCHGR		2
46	56704	SENSOR, SPEED CRANK		2
47	54723	SENSOR, SPEED		2
48	56832	PULLEY, CRANKSHAFT		2

(PARTS LIST CONTINUED)

REF	PART #	DESCRIPTION	NOTES	Fig.
49	56889	HARNES, GENSET TCI		2
50	56670	FUSE 10A	USED IN 56889 TCI HARNES	2
51	56671	FUSE 0.5A	USED IN 56889 TCI HARNES	2
52	56888	HARNES, GENSET MAIN		2
53A	42236	BREAKER, CIRCUIT 40A	9.5 MCGA	2
53B	42715	BREAKER, CIRCUIT 35A	7.6 MCGA	2
54	57016	CAPACITOR 45MFD	9.5 MCGA/7.6 MCGA	2
55	58071	BELT, TIMING		3
56	56790	TCI MODULE	9.5 MCGA/7.6 MCGA	3
57	56903	HOSE, EXH MAN		3
58	56797	BELT, POLY-V		3
59	56638	PULLEY, FWP		3
60	56885	PUMP, FRESH WATER		3
61	57077	GASKET, FWP		3
62	33228	WINGSCREW		3
63	33372	WASHER 0.203ID		3
64	55518	ISOLATOR, GEN		3
65	11885	ZINC		3
66A	57255	EXCHANGER, HEAT		3
66B	57107	EXCHANGER, HEAT CUNI		3
67	47007	CAP, EXCHANGER		3
68	46519	GASKET, EXCHANGER		3
69	19321	O-RING		3
70	58031	ENGINE, BLOCK ASSY		3
71	56983	HOSE, XCHGR TO EXH MAN		3
72	56968	HOSE, BLEEDER TO XCHGR		3
73	49077	SENSOR, OXYG WIDE BAND		3
74	56702	COIL, IGNITION J3		3
75	56754	SPARKPLUG J3		3
76	46270	CAPSCREW		4
77	55847	LOCKWASHER		4
78	57012	BRACKET, OIL REMOTE		4
79	57011	ADAPTER, FILTER		4
80	34663	NIPPLE, OIL FILTER		4
81	36918	FILTER, OIL		4
82	37000	FILTER, OIL (12 PACK of 36918)		4
83	13348	CONNECTOR, MALE, OIL LINE		4
84	11925	HOSE, OIL		4
85	57013	ADAPTER, ENGINE		4
86	32148	O-RING		4
87A	57067	KIT, WATER INJ ELB SIDEX	SIDE EXHAUST MODELS	5
87B	57206	KIT, WATER INJ ELB REARX	REAR EXHAUST MODELS	6
88	32923	SWITCH, TEMP GEN EXH		5, 6
89	42258	ELBOW		5, 6
90	48985	GASKET, EXHAUST ELBOW		5, 6
91	48984	CLAMP, EXHAUST ELBOW		5, 6
92A	56761	MODULE, FUEL PUMP ASSY	ALL MODELS	7
92B	57958	MODULE, FUEL PUMP ASSY CUNI	ALL MODELS, COPPER NICKEL CONSTRUCTION (OPTION)	7
92C	57099	MODULE, FUEL PUMP ASSY	NO LONGER AVAILABLE, REPLACE WITH 92A OR 92B	8
93A	57969	KIT, PUMP, FUEL	NON-VENCLOSURE, MFG ON OR BEFORE 12/2020 **	8

** SEE PARTS DEPARTMENT BULLETIN 2021-1 FOR DETAILED FUEL PUMP APPLICATION INFORMATION

(PARTS LIST CONTINUED)

REF	PART #	DESCRIPTION	NOTES	Fig.
93B	57962	PUMP, FUEL	ALL VENCLOSURE MODELS, ALL NON-VENCLOSURE MODELS MFG ON OR AFTER 1/2021, OR AFTER UPGRADE KIT 57969 INSTALL**	7
93C	53339	PUMP, FUEL (SOLENOID)	NLA, REPLACE WITH 93A OR 93B AS REQUIRED**	8
94A	55522	LINE, FUEL	NON-VENCLOSURE, MFG ON OR BEFORE 12/2020**	8
94B	56763	LINE, FUEL	ALL VENCLOSURE MODELS, ALL NON-VENCLOSURE MODELS MFG ON OR AFTER 1/2021, OR AFTER UPGRADE KIT 57969 INSTALL**	7, 8
95	48076	FILTER, FUEL 80MIC		7, 8
96A	56765	FUEL MODULE		7, 8
96B	57957	FUEL MODULE CUNI (OPTION)		7, 8
97	54500	VALVE, DIVERTER		7, 8
98A	56773	LINE, FUEL	ALL MODELS MFG ON OR AFTER 1/2021, OR AFTER UPGRADE KIT 57969 INSTALL**	7, 8
98B	55521	LINE, FUEL	NON-VENCLOSURE, MFG ON OR BEFORE 12/2020**	8
99A	56880	PANEL, GENSET CTL	VENCLOSURE MODELS	9
99B	55540	PANEL, GENSET CTL	NON-VENCLOSURE MODELS	10
100	43649	RECTIFIER 50A		9, 10
101	56809	DIVIDER, CTR PANEL		9
102	56847	FAN ASSY, PANEL		9
103	56849	GUARD,56874 FAN		9
104	56850	WASHER 0.149ID		9
105	56851	LOCKWASHER		9
106	56852	SCREW		9
107	49200	SWITCH, ROCKER		9, 10
108	52732	BREAKER, CIRCUIT 20A		9, 10
109	33769	FUSE MTH 8A		9, 10
110	43747	HOLDER, FUSE		9, 10
111	43835	METER, HOUR		9, 10
112A	56783	COVER, CTL PANEL DC	VENCLOSURE MODELS	9
112B	49142	COVER, CONTROL BOX	NON-VENCLOSURE MODELS	10
113A	56812	COVER, CTL PANEL AC	VENCLOSURE MODELS	9
113B	49141	COVER, CONTROL BOX	NON-VENCLOSURE MODELS	10
114	52800	CHARGER, BATTERY		9, 10
115	43828	HOLDER, FUSE-BODY		9, 10
116	43634	FUSE 30A		9, 10
117A	56964	PANEL, BELT	REAR EXHAUST MODELS	11, 13
117B	57002	PANEL, BELT	SIDE EXHAUST MODELS	12, 14
118	56579	BASE ASSEMBLY		11, 12, 15
119	57003	FLANGE ASSY, SIDE	SIDE EXHAUST MODELS	12
120A	56987	FLANGE ASSEMBLY, REAR	REAR EXHAUST MODELS	11, 17
120B	56995	FLANGE ASSEMBLY, REAR	SIDE EXHAUST MODELS	12, 18
121	56928	CAPSCREW		11, 12
122	56750	PANEL, REAR		11, 12, 19
123	301083	CLAMP, HOSE		11, 12, 23
124	56793	HOSE, SIPHON BREAK		11, 12
125	55812	WASHER		11, 12
126	55847	LOCKWASHER		11, 12
127	56842	CAPSCREW		11, 12

** SEE PARTS DEPARTMENT BULLETIN 2021-1 FOR DETAILED FUEL PUMP APPLICATION INFORMATION

(PARTS LIST CONTINUED)

REF	PART #	DESCRIPTION	NOTES	Fig.
128	56970	PANEL, GEN		11, 12, 20
129	56972	PANEL, TOP		11, 12, 21
130	56981	PANEL, SERVICE SIDE		11, 12, 22
131	56835	GROMMET, 1-1/4ID		15
132	56834	GROMMET, 1-1/16ID		12
133	39498	BUSHING, 2.5 HOLE		12
134	57036	NUT		12
135	49543	TERMINAL, GROUND LUG		12
136	31501	CAPSCREW		12
137	47082	LABEL, GROUND SYMBOL		12
138	231907	LOCKWASHER 1/4 INT TOOTH		12
139	200120	NUT KEPS		12
140	57058	GROUND WIRE		12
141	56815	ALIGNMENT PIN		12, 14, 20
142	56839	WASHER, FLAT 4		16,17, 18
143	57005	SEAL, SIDEX		16
144	57004	FLANGE, SIDEX		16
145	43094	RIVET, POP 1/8		16, 17
146	56989	SEAL, REARX		17, 18
147	39498	BUSHING, 2.5 HOLE		19
148	56813	SEAL, CTL PANEL		20
149	56735	PLUG RUBBER		21
150	56872	LABEL, LOGO EFI LOW-CO		22
151	56843	LATCH		22
152	56856	LABEL, FIRE PORT WARNING		22
153	43248	GASKET-PANEL EDGE, 14' EACH		22
154	56733	ELBOW		23
155	56990	HOSE, VENCL TO EXH ELBOW		23
156	56736	HOSE, XCHGR TO VENCL		23
157	56920	COVER ASSY, ALTERNATOR		24
158	56778	SEAL, GEN INLET		24
159	31784	WASHER		25
160	13590	CAPSCREW		25
161	31783	LOCKWASHER		25
162	56767	SEAL, DUCT		25
163	56871	DUCT ASSY, GEN EXHAUST		25
164	56760	STRAP, DUCT GEN EXHAUST		25

OPTIONAL PARTS LIST (NOT SHOWN IN ILLUSTRATIONS)

PART #	DESCRIPTION	NOTES
54928	PANEL, REMOTE CONTROL	START/STOP WITH LED (4" X 4")
55345	PANEL, REMOTE ST-STOP	START/STOP ONLY (2.6" X 3.2")
54931	CABLE, EXT 15'	15FT EXTENSION FOR 54928/55345
54932	CABLE, EXT 30'	30FT EXTENSION FOR 54928/55345
57261	CABLE, EXT 8 PIN MPI 15' LOOM	15FT EXTENSION FOR 54928/55345 W/LOOM
57260	CABLE, EXT 8 PIN MPI 30' LOOM	15FT EXTENSION FOR 54928/55345 W/LOOM
57854	CABLE, EXT 8 PIN MPI 15' SHLD	15FT EXTENSION FOR 54928/55345 W/LOOM SHIELDED
57855	CABLE, EXT 8 PIN MPI 30' SHLD	30FT EXTENSION FOR 54928/55345 W/LOOM SHIELDED
57856	CABLE, EXT 8 PIN MPI 50' SHLD	50FT EXTENSION FOR 54928/55345 W/LOOM SHIELDED
57857	CABLE, EXT 8 PIN MPI 75' SHLD	75FT EXTENSION FOR 54928/55345 W/LOOM SHIELDED
57858	CABLE, EXT 8 PIN MPI 100' SHLD	100FT EXTENSION FOR 54928/55345 W/LOOM SHIELDED
58030	GASKET SET, UPPER	
58029	GASKET SET, COMPLETE	
57806	SPARE PARTS KIT A	
58028	SPARE PARTS KIT B	
58033	HOSE KIT	
56997	MANUAL, OPERATOR	
56890	DGGENSET WIRE	WIRING DIAGRAM